

WAVE BED *motorized*

Code MOM006430



DESIGN IN MOVIMENTO



Standard Sizes (mm)

800

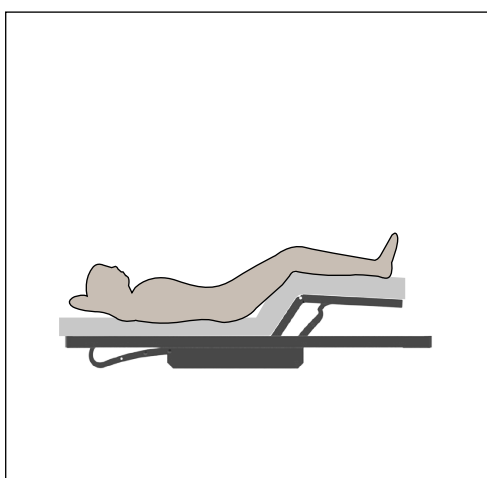
850

900

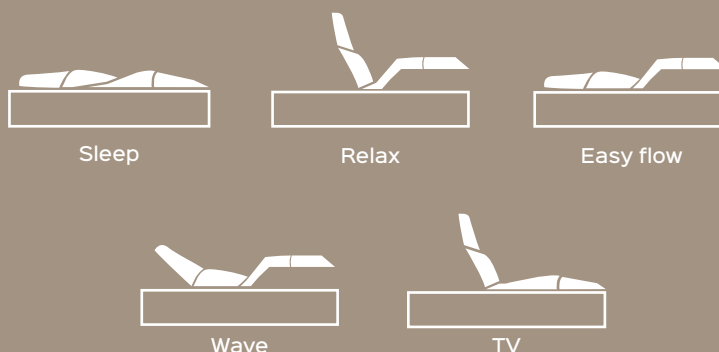
1200

Jolly

Motorized	8kg +/- 1kg	MAX 130kg 287lbs Maximum capacity	Cycles: 30.000	2 YEARS Mechanism 2 YEARS Actuator Warranty
-----------	-------------	--------------------------------------	----------------	---



Positions:



Benefit: WAVE BED extremely solid and versatile, is equipped with a metal structure designed to move all iron frames (or wood), which house the slats of the bed. This match allows you to achieve infinite positions of lifting the

back and/ or legs, giving the user a pleasant feeling of comfort. The structure provides custom accessories for those who had to make the measurements of the bed non-standard.

Optional

SOME ACCESSORIES	FINISHES
JOLLY KIT	SPACER

ELECTRIC KIT	ACTUATORS
PLUGS & CABLE EXTENSIONS	POWER SUPPLY & BATTERY PACKS

CONTROL SYSTEM	BUILT IN SWITCHES	CONTROL PLATES
TOUCH SENSOR	WIRED/ WIRELESS REMOTES	SMARTPHONE CONTROL SYSTEM

Motionitalia Design and quality Made in Italy

Headquarters: via Navicella 26, 47122 Forlì (FC) Tel. +39 0543 77 47 68 Fax. +39 0543 79 84 09 www.motionitalia.com info@motionitalia.com

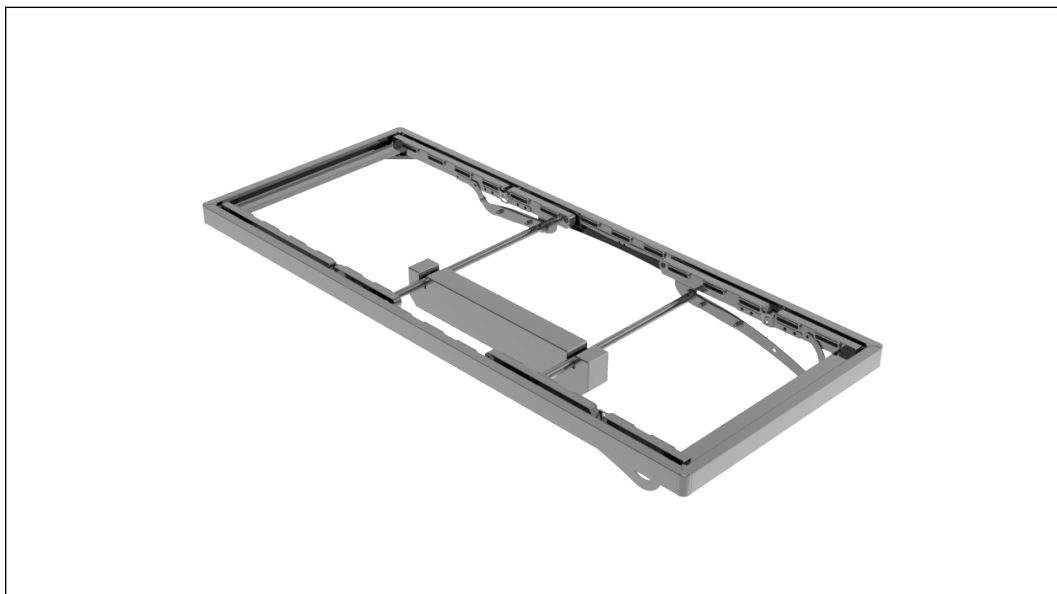
The producer reserves the right to modify, at any moment and without notice, the technical specification of its products

WAVE BED *plus motorized*

Code MOM006920



DESIGN IN MOVIMENTO



Standard Sizes (mm)

800

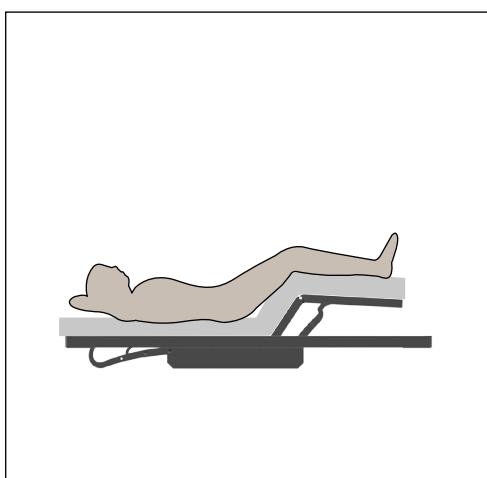
850

900

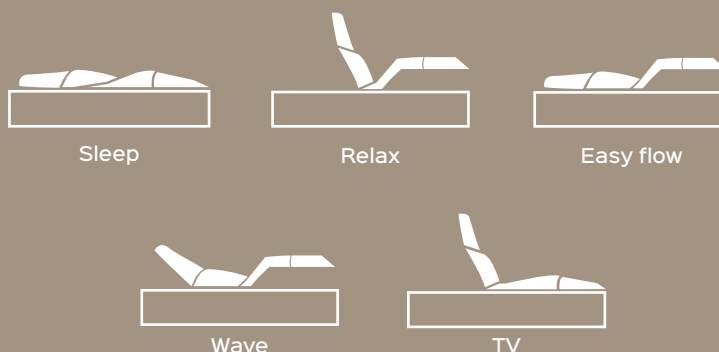
1200

Jolly

<p>Motorized</p>	<p>8kg +/- 1kg</p>	<p>MAX 130kg 287lbs</p> <p>Maximum capacity</p>	<p>Cycles:30.000</p>	<p>2YEARS Mechanism 2YEARS Actuator Warranty</p>
------------------	--------------------	---	----------------------	--



Positions:



Benefit: WAVE BED plus extremely solid and versatile, is equipped with a metal structure designed to move all iron frames (or wood), which house the slats of the bed. This match allows you to achieve infinite positions of lifting the back and/or legs, giving the user a pleasant feeling of comfort. Unlike

the homonymous mechanical, WAVE BED plus is equipped with a support/ guide in the lumbar area. The structure provides custom accessories for those who had to make the measurements of the bed non-standard.

Optional

<p>SOME ACCESSORIES</p>	<p>FINISHES</p>
<p>JOLLY KIT</p>	<p>SPACER</p>

<p>ELECTRIC KIT</p>	<p>ACTUATORS</p>
<p>PLUGS & CABLE EXTENSIONS</p>	<p>POWER SUPPLY & BATTERY PACKS</p>

<p>CONTROL SYSTEM</p>	<p>BUILT IN SWITCHES</p>	<p>CONTROL PLATES</p>
<p>TOUCH SENSOR</p>	<p>WIRED/ WIRELESS REMOTES</p>	<p>SMARTPHONE CONTROL SYSTEM</p>

Motionitalia Design and quality Made in Italy

Headquarters: via Navicella 26, 47122 Forlì (FC) Tel.+39 0543 77 47 68 Fax.+39 0543 79 84 09 www.motionitalia.com info@motionitalia.com

The producer reserves the right to modify, at any moment and without notice, the technical specification of its products