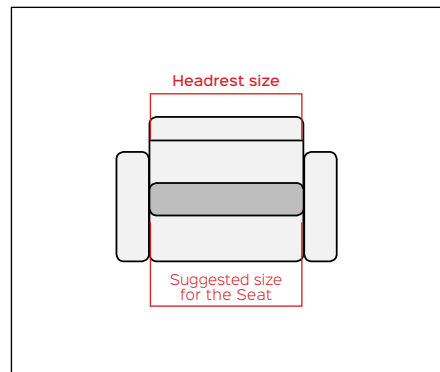


ZED UP *manual*

Code MOBKMA06595

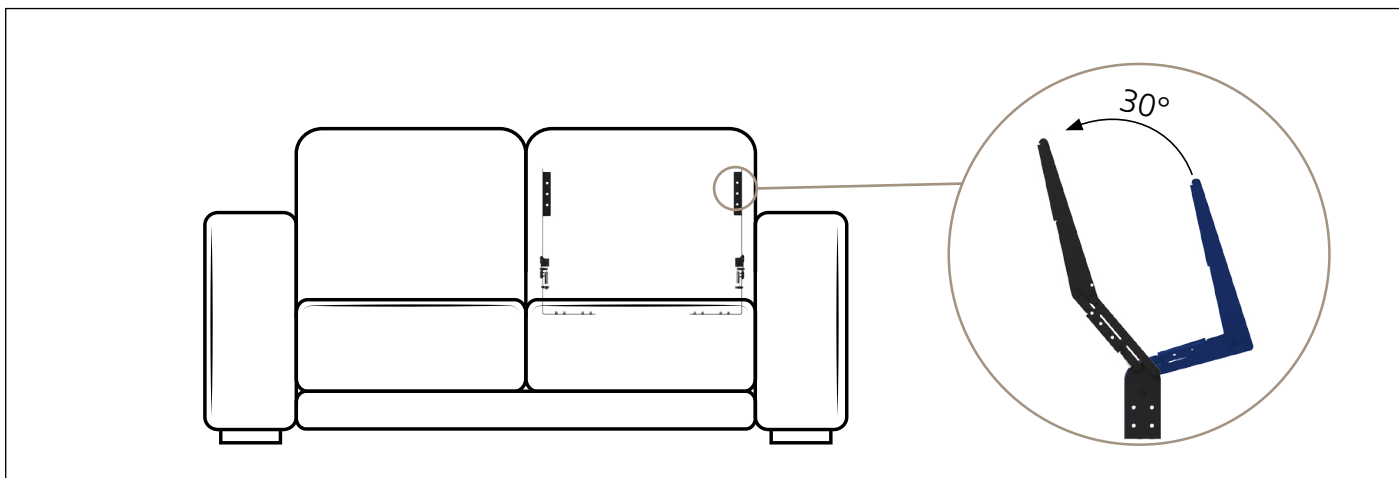


DESIGN IN MOVIMENTO



Standard sizes (mm)	
Suggested size for the Seat	Headrest size
540	540
650	650
730	730
800	800
880	880

Manual	4kg	Armchairs	Sofas	Load: 40kg	Cycles: 50.000	2YEARS Warranty
--------	-----	-----------	-------	------------	----------------	-----------------



Benefit: The ZED UP manual is a backrest with great potential. It has been designed to be used independently of the measure of the seat; it is mounted on the frame (seat) and is ready for use. It is designed for upholstery with high

backrest; 30° rotation when opening, increases the comfort of the finished product. The springs help the user in the closing phase. The easy shape and the formal simplicity make this product highly appreciated.

Optional

SOME ACCESSORIES

FINISHES