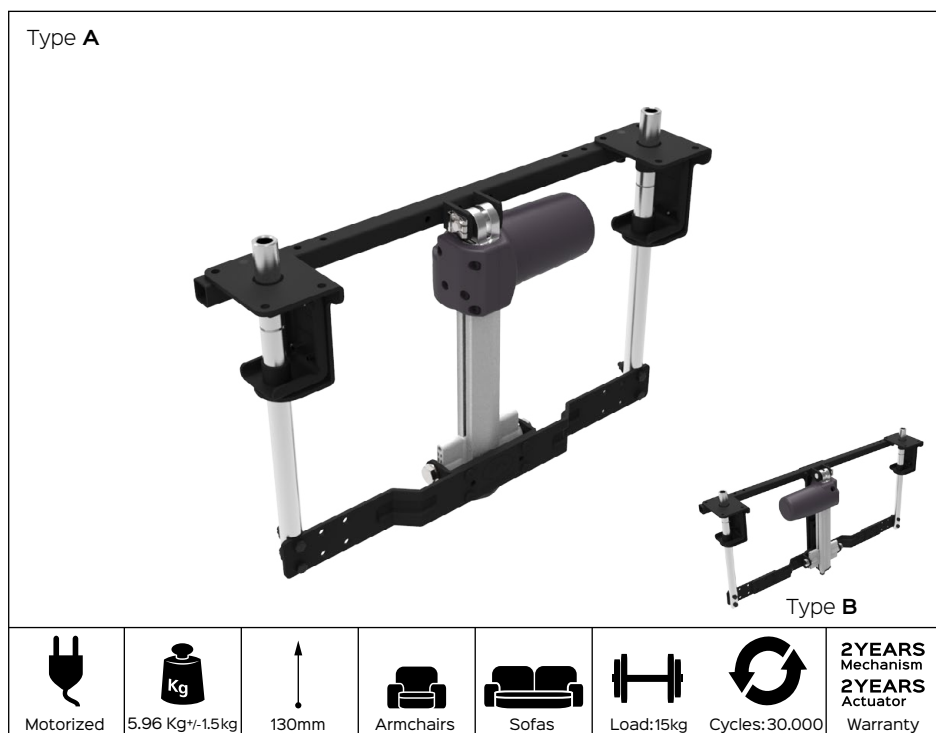
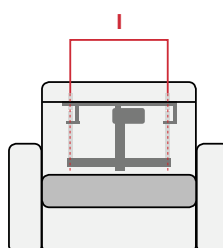


VERTICAL fly motorized

Code PEPLIV06099-XXX

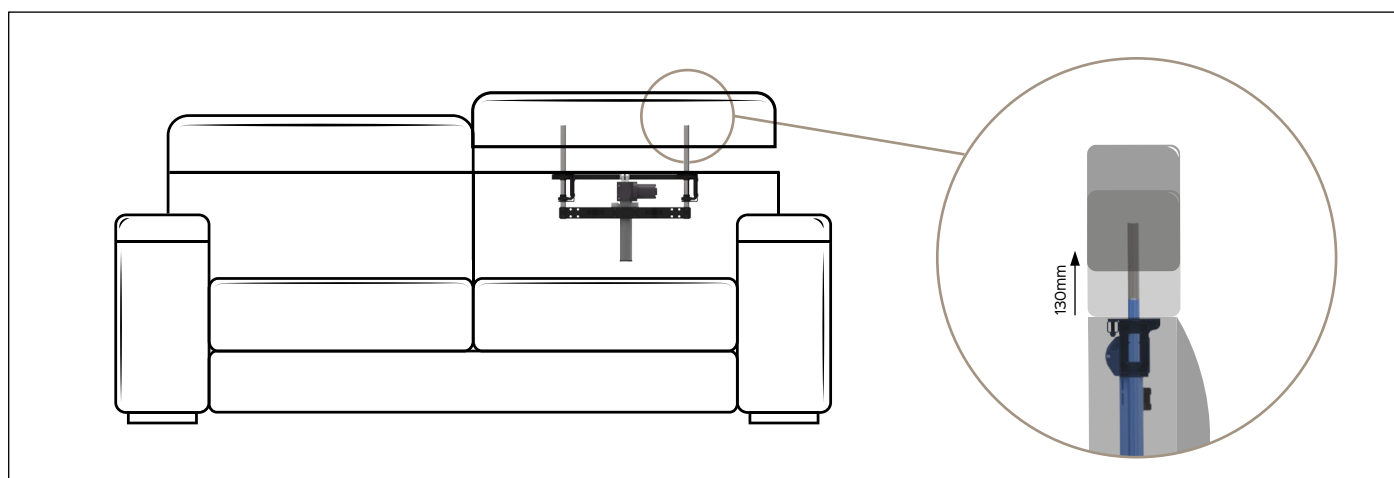


DESIGN IN MOVIMENTO

Standard sizes (mm)

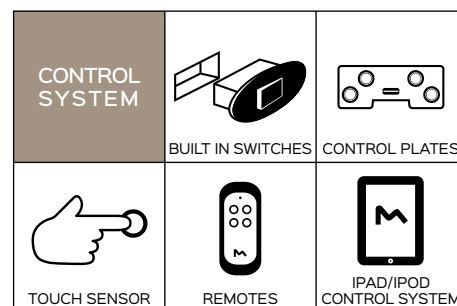
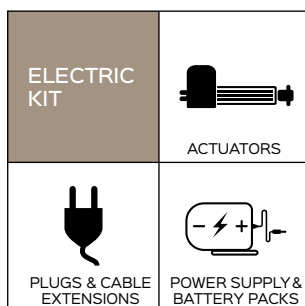
Headrest size (wheelbase I)		
321	Type A	
371		
421		
471	Type B	
521		
571		



Benefit: The Vertical fly motorized headrest is a motorized translating mechanism, that allows to adjust the height of the headrest at will. New product of the VERTICAL family, the fly version is lighter and more compact, with an increased translation movement

compared to the other products (130mm). Versatile and comfortable, it can be customized with a selection of TEXAS sofa joints, combining the translation with the rotation, enriching the quality of the product.

Optional



Motionitalia Design and quality Made in Italy

Headquarters: via Navicella 26, 47122 Forlì (FC) Tel.+39 0543 77 47 68 Fax.+39 0543 79 84 09 www.motionitalia.com info@motionitalia.com

The producer reserves the right to modify, at any moment and without notice, the technical specification of its products