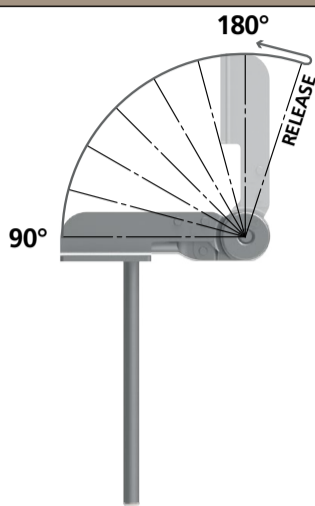


TEXAS



DESIGN IN MOVIMENTO

1000 FREE CONNECTION



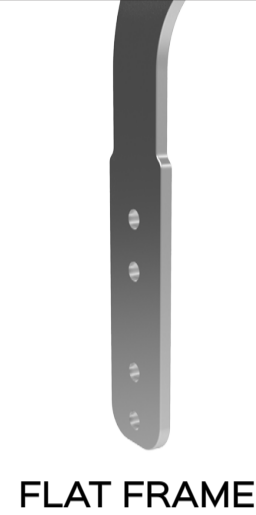
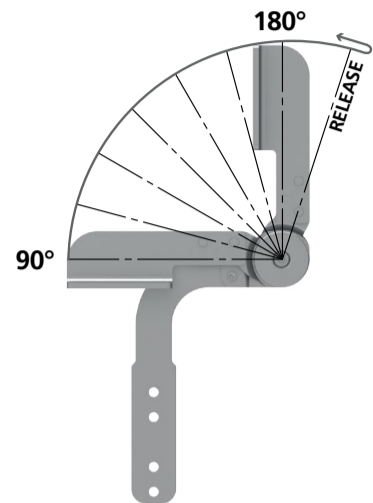
FREE CONNECTION

Benefit: The products of the Texas 1000 family thanks to their versatility are widely used in the industrial production of multiple types of upholstery. Among the key features, in addition to the classic jerky mechanism and the variety of angles and positions, the Texas 1000 have different types of clutch (smooth, flat, quick, threaded) in order to meet the different needs of the customer. A wide range of options developed according to the type of clutch, complete the product line, simplifies the assembly operations of the upholstery and disassembly in the case of after-sales assistance.

| Family | Angle | Steps | Assembly joint | Accessories | Note | Code |
|--------|----------|-------|-----------------|--------------------------|--|----------|
| 1000 | 90°-180° | 6 | Free connection | With low chrome bushings | Skin body modification Special joint with threaded hole | MOPA1217 |
| 1000 | 90°-180° | 6 | Free connection | Without bushing | Without groove Free chrome connection | MOPA1586 |
| | | | | | | |
| | | | | | | |
| | | | | | | |
| | | | | | | |
| | | | | | | |
| | | | | | | |
| | | | | | | |
| | | | | | | |
| | | | | | | |
| | | | | | | |
| | | | | | | |
| | | | | | | |
| | | | | | | |
| | | | | | | |
| | | | | | | |
| | | | | | | |
| | | | | | | |
| | | | | | | |
| | | | | | | |
| | | | | | | |
| | | | | | | |

| | | | | |
|---|--|--|--|--------------------|
|  Manual |  Armchairs |  Sofas |  Cycles:50.000 | 2YEARS Warranty |
|---|--|--|--|--------------------|

1000 FLAT FRAME



FLAT FRAME

| Family | Angle | Steps | Assembly joint | Accessories | Note | Code |
|--------|----------|-------|----------------|-------------|------|----------|
| 1000 | 90°-180° | 6 | Flat frame | | | MOPA0882 |
| 1000 | 90°-165° | 5 | Flat frame | | | MOPA0888 |
| 1000 | 90°-135° | 3 | Flat frame | | | MOPA0885 |
| | | | | | | |
| | | | | | | |
| | | | | | | |
| | | | | | | |
| | | | | | | |
| | | | | | | |
| | | | | | | |
| | | | | | | |
| | | | | | | |
| | | | | | | |
| | | | | | | |
| | | | | | | |
| | | | | | | |
| | | | | | | |
| | | | | | | |
| | | | | | | |
| | | | | | | |
| | | | | | | |
| | | | | | | |
| | | | | | | |
| | | | | | | |
| | | | | | | |
| | | | | | | |
| | | | | | | |
| | | | | | | |
| | | | | | | |
| | | | | | | |
| | | | | | | |
| | | | | | | |
| | | | | | | |
| | | | | | | |
| | | | | | | |
| | | | | | | |
| | | | | | | |
| | | | | | | |
| | | | | | | |
| | | | | | | |
| | | | | | | |
| | | | | | | |
| | | | | | | |
| | | | | | | |
| | | | | | | |
| | | | | | | |
| | | | | | | |
| | | | | | | |
| | | | | | | |
| | | | | | | |
| | | | | | | |
| | | | | | | |
| | | | | | | |
| | | | | | | |
| | | | | | | |
| | | | | | | |
| | | | | | | |

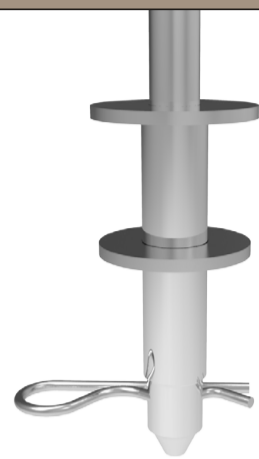
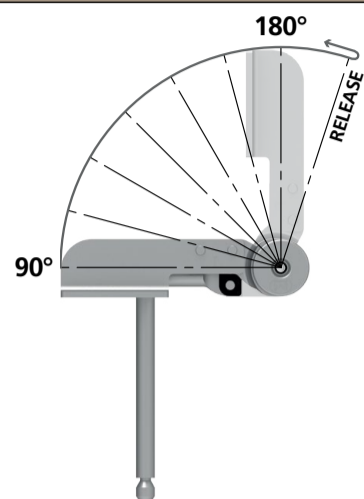
| | | | | |
|--|---|---|---|---------------------------|
|  Manual |  Armchairs |  Sofas |  Cycles:50.000 | 2YEARS Warranty |
|--|---|---|---|---------------------------|

TEXAS



DESIGN IN MOVIMENTO

1000 FAST CLIP



FAST CLIP

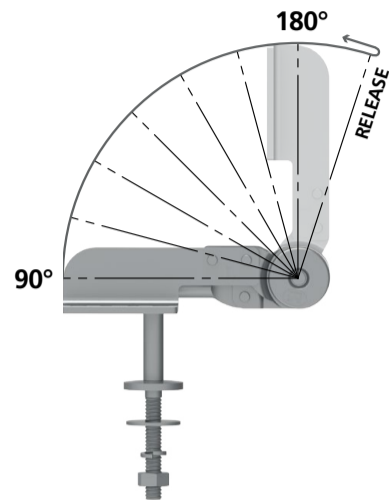
| Family | Angle | Steps | Assembly joint | Accessories | Note | Code |
|--------|----------|-------|----------------|-----------------|---|----------|
| 1000 | 90°-180° | 6 | Fast clip | Without bushing | | MOPA1492 |
| 1000 | 90°-180° | 6 | Fast clip | Without bushing | Skin body modification New throat | MOPA6038 |
| 1000 | 90°-165° | 5 | Fast clip | Without bushing | Skin body modification | MOPA1581 |
| 1000 | 90°-135° | 3 | Fast clip | Without bushing | Skin body modification Groove moved (23mm) | MOPA1646 |
| 1000 | 90°-135° | 3 | Fast clip | Without bushing | Skin body modification | MOPA2143 |
| | | | | | | |
| | | | | | | |
| | | | | | | |
| | | | | | | |
| | | | | | | |
| | | | | | | |
| | | | | | | |
| | | | | | | |
| | | | | | | |
| | | | | | | |
| | | | | | | |
| | | | | | | |
| | | | | | | |
| | | | | | | |
| | | | | | | |
| | | | | | | |
| | | | | | | |
| | | | | | | |
| | | | | | | |
| | | | | | | |
| | | | | | | |
| | | | | | | |
| | | | | | | |
| | | | | | | |
| | | | | | | |
| | | | | | | |
| | | | | | | |
| | | | | | | |
| | | | | | | |
| | | | | | | |
| | | | | | | |
| | | | | | | |
| | | | | | | |
| | | | | | | |

| | | | | |
|---|--|--|--|---------------------------|
|  Manual |  Armchairs |  Sofas |  Cycles:50.000 | 2YEARS Warranty |
|---|--|--|--|---------------------------|

Motionitalia Design and quality Made in Italy 

Headquarters: via Navicella 26, 47122 Forlì (FC) Tel.+39 0543 774768 Fax.+39 0543 79 84 09 www.motionitalia.com info@motionitalia.com

1000 THREADED JOINT



THREADED JOINT

| Family | Angle | Steps | Assembly joint | Accessories | Note | Code |
|--------|----------|-------|----------------|-------------|--|----------|
| 1000 | 90°-180° | 6 | Threaded joint | | Skin body modification | MOPA0881 |
| 1000 | 90°-180° | 6 | Threaded joint | | Shorted joint of 31mm | MOPA6061 |
| 1000 | 90°-180° | 6 | Threaded joint | | Special joint 134 mm from the center of the ratchet, 45mm from the bushing | MOPA1283 |
| 1000 | 90°-165° | 5 | Threaded joint | | Skin body modification | MOPA0886 |
| 1000 | 90°-135° | 3 | Threaded joint | | Skin body modification | MOPA0883 |
| 1000 | 90°-120° | 2 | Threaded joint | | Skin body modification | MOPA1428 |
| | | | | | | |
| | | | | | | |
| | | | | | | |
| | | | | | | |
| | | | | | | |
| | | | | | | |
| | | | | | | |
| | | | | | | |
| | | | | | | |
| | | | | | | |
| | | | | | | |
| | | | | | | |
| | | | | | | |
| | | | | | | |
| | | | | | | |
| | | | | | | |
| | | | | | | |
| | | | | | | |
| | | | | | | |
| | | | | | | |
| | | | | | | |
| | | | | | | |
| | | | | | | |
| | | | | | | |
| | | | | | | |
| | | | | | | |
| | | | | | | |

Manual

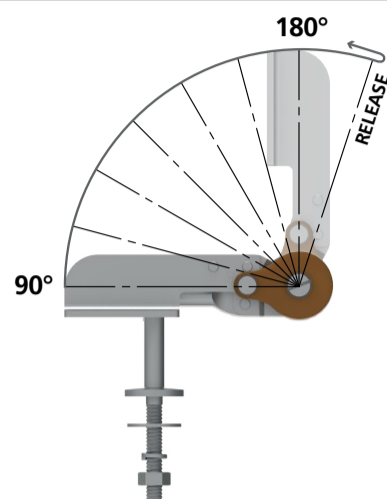
Armchairs

Sofas

Cycles:50.000

2YEARS
Warranty

1000 THREADED JOINT WITH RETURN SPRING

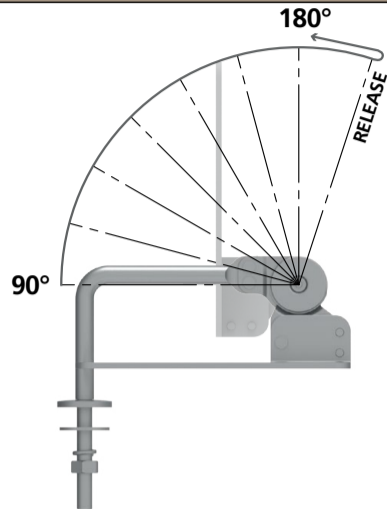


THREADED JOINT

| Family | Angle | Steps | Assembly joint | Accessories | Note | Code |
|--------|----------|-------|----------------|---------------|----------------------|----------|
| 1000 | 90°-180° | 6 | Threaded joint | Return spring | | MOPA6361 |
| 1000 | 90°-180° | 6 | Threaded joint | Return spring | | MOPA1649 |
| 1000 | 90°-180° | 6 | Threaded joint | Return spring | Inverted stirrup "L" | MOPA1053 |
| | | | | | | |
| | | | | | | |
| | | | | | | |
| | | | | | | |
| | | | | | | |
| | | | | | | |
| | | | | | | |
| | | | | | | |
| | | | | | | |
| | | | | | | |
| | | | | | | |
| | | | | | | |
| | | | | | | |
| | | | | | | |
| | | | | | | |
| | | | | | | |
| | | | | | | |
| | | | | | | |
| | | | | | | |
| | | | | | | |
| | | | | | | |
| | | | | | | |
| | | | | | | |
| | | | | | | |
| | | | | | | |
| | | | | | | |
| | | | | | | |
| | | | | | | |
| | | | | | | |
| | | | | | | |
| | | | | | | |
| | | | | | | |
| | | | | | | |
| | | | | | | |
| | | | | | | |
| | | | | | | |
| | | | | | | |
| | | | | | | |
| | | | | | | |
| | | | | | | |
| | | | | | | |
| | | | | | | |
| | | | | | | |
| | | | | | | |
| | | | | | | |
| | | | | | | |
| | | | | | | |
| | | | | | | |
| | | | | | | |
| | | | | | | |

| | | | | |
|---|---|---|---|---------------|
|  |  |  |  | 2YEARS |
| Manual | Armchairs | Sofas | Cycles:50.000 | Warranty |

2000 THREADED JOINT



THREADED JOINT

| Family | Angle | Steps | Assembly joint | Accessories | Note | Code |
|--------|----------|----------|----------------|-------------|-----------------------|----------|
| 2000 | 90°-180° | 6 | Threaded joint | | | MOPA0243 |
| 2000 | 90°-165° | 5 | Threaded joint | | | MOPA0296 |
| 2000 | 90°-135° | 3 | Threaded joint | | | MOPA0297 |
| 2000 | Friction | Friction | Threaded joint | | Free rotation of 360° | MOPA0003 |
| | | | | | | |
| | | | | | | |
| | | | | | | |
| | | | | | | |
| | | | | | | |
| | | | | | | |
| | | | | | | |
| | | | | | | |
| | | | | | | |
| | | | | | | |
| | | | | | | |
| | | | | | | |
| | | | | | | |
| | | | | | | |
| | | | | | | |
| | | | | | | |
| | | | | | | |
| | | | | | | |
| | | | | | | |
| | | | | | | |

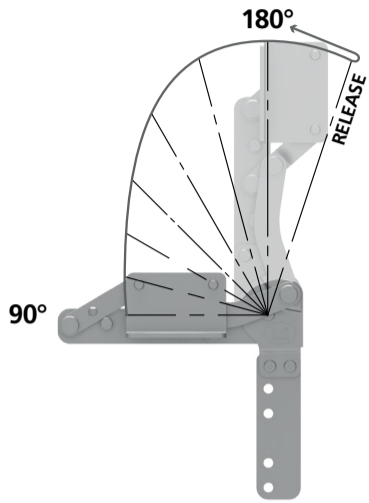
| | | | | |
|---|--|--|--|-------------------------------|
|  <p>Manual</p> |  <p>Armchairs</p> |  <p>Sofas</p> |  <p>Cycles:50.000</p> | <p>2YEARS</p> <p>Warranty</p> |
|---|--|--|--|-------------------------------|

TEXAS



DESIGN IN MOVIMENTO

8000 FLAT FRAME



FLAT FRAME

Benefit: The products of the Texas 8000 family are characterized by the classic jerky mechanism and different angles and positions. Unlike the other products of the Texas family, the 8000 together with the 5000 have a translating element that keeps the upholstery in tension when the headrest is in open position. A wide range of options developed according to the type of clutch, complete the product line, simplifies the assembly operations of the upholstery and disassembly in the case of after-sales assistance.

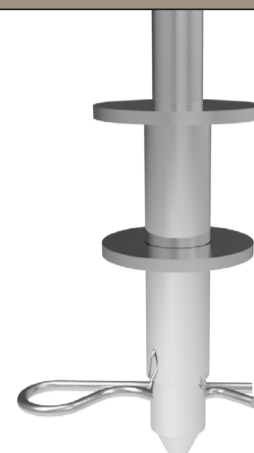
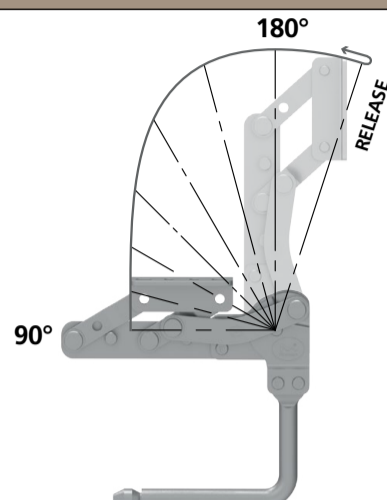
| Family | Angle | Steps | Assembly joint | Accessories | Note | Code |
|--------|-----------|-------|----------------|---|-------------------------|----------|
| 8000 | 90°-180° | 6 | Flat frame | | Stirrup "L" facing down | MOPA1153 |
| 8000 | 105°-195° | 6 | Flat frame | Second stirrup "L" riveted to the flat stem | Stirrup "L" facing down | MOPA1172 |
| 8000 | 105°-210° | 14 | Flat frame | | Stirrup "L" facing down | MOPA1167 |
| | | | | | | |
| | | | | | | |
| | | | | | | |
| | | | | | | |
| | | | | | | |
| | | | | | | |
| | | | | | | |
| | | | | | | |
| | | | | | | |
| | | | | | | |
| | | | | | | |
| | | | | | | |
| | | | | | | |
| | | | | | | |
| | | | | | | |
| | | | | | | |
| | | | | | | |
| | | | | | | |
| | | | | | | |
| | | | | | | |
| | | | | | | |
| | | | | | | |
| | | | | | | |
| | | | | | | |
| | | | | | | |
| | | | | | | |
| | | | | | | |
| | | | | | | |
| | | | | | | |
| | | | | | | |
| | | | | | | |
| | | | | | | |
| | | | | | | |
| | | | | | | |
| | | | | | | |
| | | | | | | |
| | | | | | | |
| | | | | | | |
| | | | | | | |

| | | | | |
|---|---|---|---|----------------|
|  |  |  |  | 2 YEARS |
| Manual | Armchairs | Sofas | Cycles:50.000 | Warranty |

Motionitalia Design and quality Made in Italy

Headquarters: via Navicella 26, 47122 Forlì (FC) Tel.+39 0543 774768 Fax.+39 0543 79 84 09 www.motionitalia.com info@motionitalia.com

8000 FAST CLIP

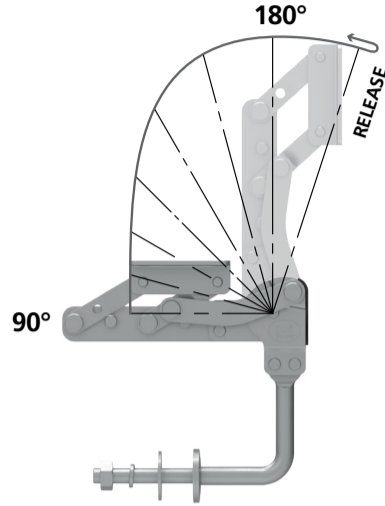


FAST CLIP

| Family | Angle | Steps | Assembly joint | Accessories | Note | Code |
|--------|----------|-------|----------------|-------------|---------------------------|----------|
| 8000 | 90°-180° | 6 | Fast clip | | Stirrup "L" up at the top | MOPA1165 |
| | | | | | | |
| | | | | | | |
| | | | | | | |
| | | | | | | |
| | | | | | | |
| | | | | | | |
| | | | | | | |
| | | | | | | |
| | | | | | | |
| | | | | | | |
| | | | | | | |
| | | | | | | |
| | | | | | | |
| | | | | | | |
| | | | | | | |
| | | | | | | |
| | | | | | | |
| | | | | | | |
| | | | | | | |
| | | | | | | |
| | | | | | | |





| | | | | |
|---|--|--|--|------------------------------------|
|  <p>Manual</p> |  <p>Armchairs</p> |  <p>Sofas</p> |  <p>Cycles:50.000</p> | <p>2 YEARS Warranty</p> |
|---|--|--|--|------------------------------------|

8000 THREADED JOINT



THREADED JOINT

| Family | Angle | Steps | Assembly joint | Accessories | Note | Code |
|--------|----------|-------|----------------|-------------|---|----------|
| 8000 | 90°-210° | 8 | Threaded joint | | Stirrup "L" up at the top | MOPA1171 |
| 8000 | 90°-180° | 6 | Threaded joint | | Stirrup "L" up at the top Chrome joint | MOPA1151 |
| 8000 | 90°-180° | 6 | Threaded joint | | | MOPA1166 |
| | | | | | | |
| | | | | | | |
| | | | | | | |
| | | | | | | |
| | | | | | | |
| | | | | | | |
| | | | | | | |
| | | | | | | |
| | | | | | | |
| | | | | | | |
| | | | | | | |
| | | | | | | |
| | | | | | | |
| | | | | | | |
| | | | | | | |
| | | | | | | |
| | | | | | | |
| | | | | | | |
| | | | | | | |

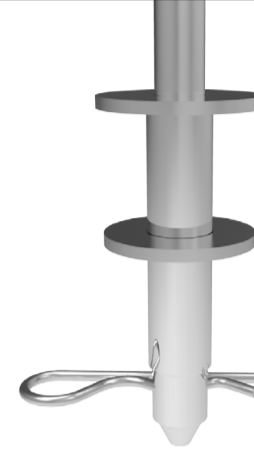
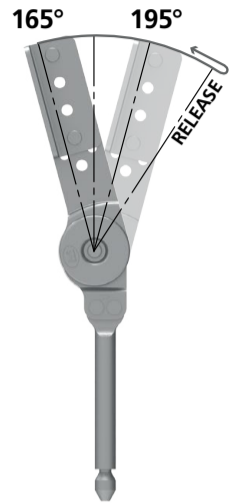
| | | | | |
|---|---|---|---|----------|
|  |  |  |  | 2YEARS |
| Manual | Armchairs | Sofas | Cycles:50.000 | Warranty |

TEXAS



DESIGN IN MOVIMENTO

9000 FAST CLIP WITH STIRRUP “L”



FAST CLIP

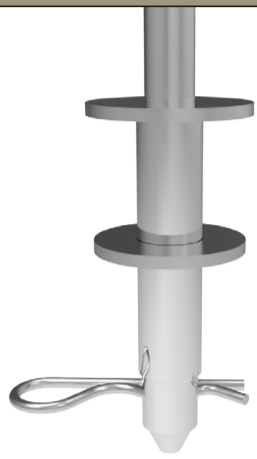
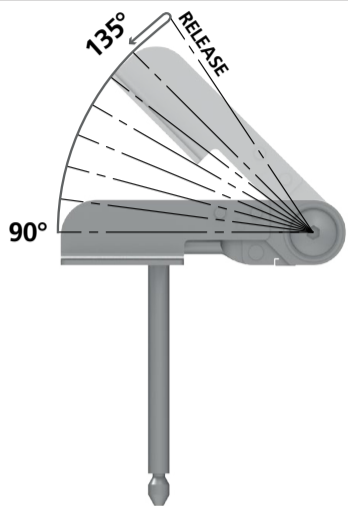
| Family | Angle | Steps | Assembly joint | Accessories | Note | Code |
|--------|-----------|-------|----------------|-------------|------|----------|
| 9000 | 165°-195° | 2 | Fast clip | Stirrup “L” | | MOPA2487 |
| | | | | | | |
| | | | | | | |
| | | | | | | |
| | | | | | | |
| | | | | | | |
| | | | | | | |
| | | | | | | |
| | | | | | | |
| | | | | | | |
| | | | | | | |
| | | | | | | |
| | | | | | | |
| | | | | | | |
| | | | | | | |
| | | | | | | |
| | | | | | | |
| | | | | | | |
| | | | | | | |
| | | | | | | |
| | | | | | | |
| | | | | | | |

| | | | | |
|---|--|--|--|---------------------------|
|  Manual |  Armchairs |  Sofas |  Cycles:50.000 | 2YEARS Warranty |
|---|--|--|--|---------------------------|

TEXAS



9500 FAST CLIP



FAST CLIP

Benefit: The products of the Texas 9500 family are characterized by a sofa joint and friction mechanism that facilitate the opening and closing operations of the headrest. The jerky opening makes it easy to find the ideal position of comfort and the frictional closure allows to securely lock the headrest from any position, eliminating the classic closing movement (sofa joint at maximum opening, release position, closing); in addition, the frictioned mechanism preserves the headrest in case of incorrect use, avoiding breaks. A range of options, in addition to completing the product line, simplifies the assembly operations of upholstery and disassembly in the case of after-sales assistance.

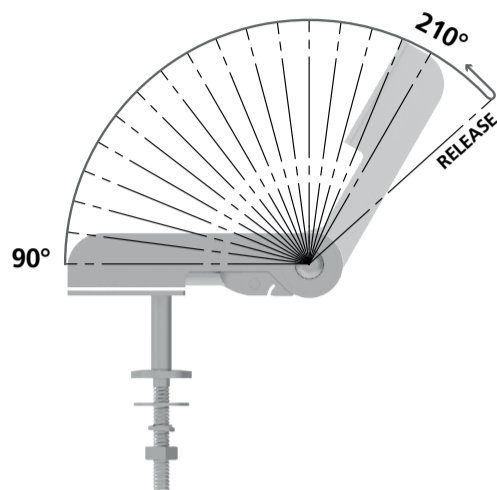
| Family | Angle | Steps | Assembly joint | Accessories | Note | Code |
|--------|----------|-------|----------------|-------------|----------|-----------|
| 9500 | 90°-210° | 16 | Fast clip | | | MOPA06919 |
| 9500 | 90°-210° | 16 | Fast clip | | Friction | MOPA07186 |
| 9500 | 90°-180° | 12 | Fast clip | | | MOPA06918 |
| 9500 | 90°-135° | 6 | Fast clip | | | MOPA06503 |
| | | | | | | |
| | | | | | | |
| | | | | | | |
| | | | | | | |
| | | | | | | |
| | | | | | | |
| | | | | | | |
| | | | | | | |
| | | | | | | |
| | | | | | | |
| | | | | | | |
| | | | | | | |
| | | | | | | |
| | | | | | | |
| | | | | | | |
| | | | | | | |
| | | | | | | |
| | | | | | | |
| | | | | | | |
| | | | | | | |
| | | | | | | |
| | | | | | | |
| | | | | | | |
| | | | | | | |
| | | | | | | |
| | | | | | | |
| | | | | | | |
| | | | | | | |
| | | | | | | |
| | | | | | | |
| | | | | | | |
| | | | | | | |
| | | | | | | |
| | | | | | | |
| | | | | | | |
| | | | | | | |
| | | | | | | |
| | | | | | | |
| | | | | | | |
| | | | | | | |
| | | | | | | |
| | | | | | | |
| | | | | | | |
| | | | | | | |
| | | | | | | |
| | | | | | | |
| | | | | | | |
| | | | | | | |
| | | | | | | |
| | | | | | | |

| | | | | |
|--------|-----------|-------|---------------|------------------|
| Manual | Armchairs | Sofas | Cycles:50.000 | 2 YEARS Warranty |
|--------|-----------|-------|---------------|------------------|

Motionitalia Design and quality Made in Italy

Headquarters: via Navicella 26, 47122 Forlì (FC) Tel.+39 0543 774768 Fax.+39 0543 798409 www.motionitalia.com info@motionitalia.com

9500 THREADED JOINT

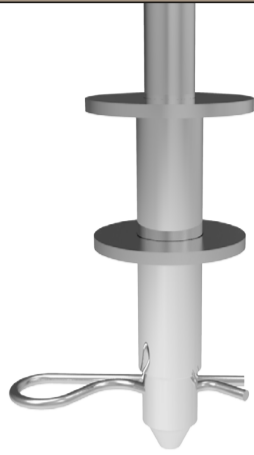
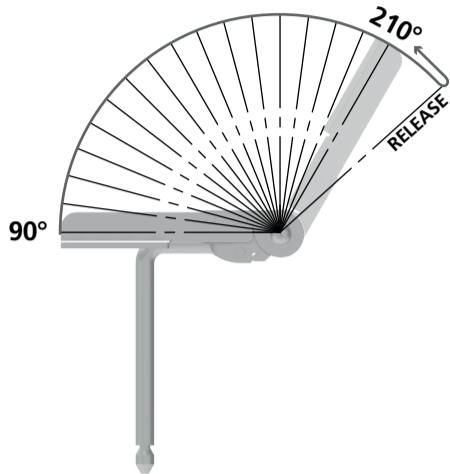


THREADED JOINT

| Family | Angle | Steps | Assembly joint | Accessories | | Code |
|--------|----------|-------|----------------|-------------|--|-----------|
| 9500 | 90°-210° | 16 | Threaded joint | | | MOPA06951 |
| 9500 | 90°-135° | 6 | Threaded joint | | | MOPA06986 |
| | | | | | | |
| | | | | | | |
| | | | | | | |
| | | | | | | |
| | | | | | | |
| | | | | | | |
| | | | | | | |
| | | | | | | |
| | | | | | | |
| | | | | | | |
| | | | | | | |
| | | | | | | |
| | | | | | | |
| | | | | | | |
| | | | | | | |
| | | | | | | |
| | | | | | | |
| | | | | | | |
| | | | | | | |
| | | | | | | |
| | | | | | | |
| | | | | | | |

| | | | | |
|--------|-----------|-------|---------------|-----------------|
| Manual | Armchairs | Sofas | Cycles:50.000 | 2YEARS Warranty |
|--------|-----------|-------|---------------|-----------------|

9600 FAST CLIP



FAST CLIP

Benefit: The products of the Texas 9600 family are characterized by a sofa joint and friction mechanism that facilitate the opening and closing operations of the headrest. The jerky opening makes it easy to find the ideal position of comfort and the frictional closure allows to securely lock the headrest from any position, eliminating the classic closing movement (sofa joint at maximum opening, release position, closing); in addition, the frictioned mechanism preserves the headrest in case of incorrect use, avoiding breaks. Inspired by the Texas 9500, the 9600 are designed with further reduced dimensions, in this way they can be used in a wider range of products

| Family | Angle | Steps | Assembly joint | Accessories | Note | Code |
|--------|----------|-------|----------------|-------------|------|-----------|
| 9600 | 90°-210° | 16 | Fast clip | | | MOPA06956 |
| | | | | | | |
| | | | | | | |
| | | | | | | |
| | | | | | | |
| | | | | | | |
| | | | | | | |
| | | | | | | |
| | | | | | | |
| | | | | | | |
| | | | | | | |
| | | | | | | |
| | | | | | | |
| | | | | | | |
| | | | | | | |
| | | | | | | |
| | | | | | | |
| | | | | | | |
| | | | | | | |
| | | | | | | |
| | | | | | | |

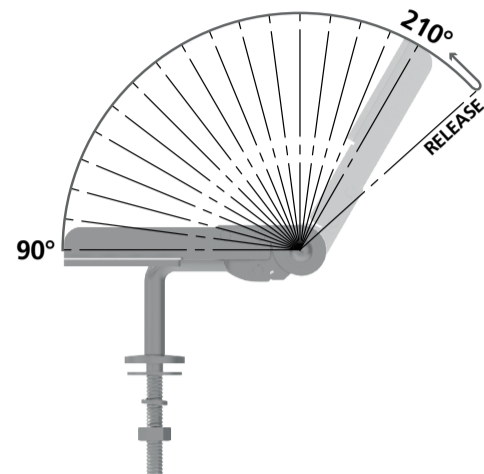
| | | | | |
|--------|-----------|-------|---------------|----------------|
| | | | | 2 YEARS |
| Manual | Armchairs | Sofas | Cycles:50.000 | Warranty |

TEXAS



DESIGN IN MOVIMENTO

9600 THREADED JOINT



THREADED JOINT

| Family | Angle | Steps | Assembly joint | Accessories | Note | Code |
|--------|----------|-------|----------------|-------------|----------|-----------|
| 9600 | 90°-210° | 16 | Threaded joint | | | MOPA06957 |
| 9600 | 90°-210° | 16 | Threaded joint | | Friction | MOPA07344 |
| | | | | | | |
| | | | | | | |
| | | | | | | |
| | | | | | | |
| | | | | | | |
| | | | | | | |
| | | | | | | |
| | | | | | | |
| | | | | | | |
| | | | | | | |
| | | | | | | |
| | | | | | | |
| | | | | | | |
| | | | | | | |
| | | | | | | |
| | | | | | | |
| | | | | | | |
| | | | | | | |
| | | | | | | |
| | | | | | | |
| | | | | | | |
| | | | | | | |
| | | | | | | |
| | | | | | | |
| | | | | | | |
| | | | | | | |

| | | | | |
|--------|-----------|-------|---------------|-----------------|
| Manual | Armchairs | Sofas | Cycles:50.000 | 2YEARS Warranty |
|--------|-----------|-------|---------------|-----------------|

Motionitalia Design and quality Made in Italy

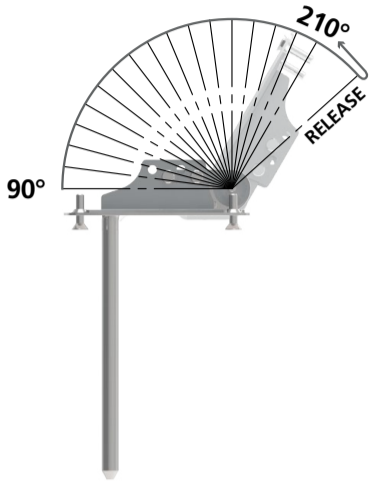
Headquarters: via Navicella 26, 47122 Forlì (FC) Tel.+39 0543 774768 Fax.+39 0543 798409 www.motionitalia.com info@motionitalia.com

TEXAS



DESIGN IN MOVIMENTO

SLIM FREE CONNECTION



FREE CONNECTION

Benefit: The products of the Texas Slim family are characterized by the classic jerky mechanism and different angles and positions. The product is very compact allowing a wide use in various types of upholstery. Different angles, positions, grafts and a range of options, in addition to completing the product line, simplifies the assembly operations of the upholstery and disassembly in the case of after-sales assistance.

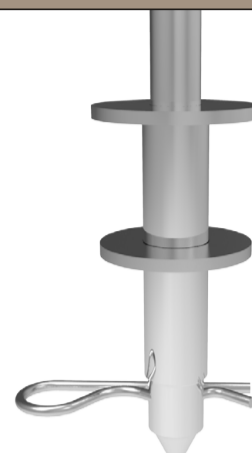
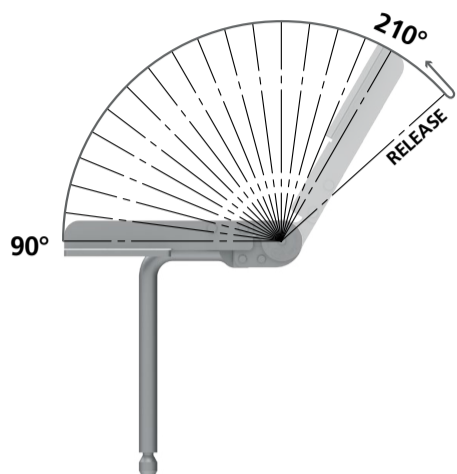
| Family | Angle | Steps | Assembly joint | Accessories | Note | Code |
|--------|----------|-------|-----------------|-------------|---------------|----------|
| SLIM | 90°-210° | 16 | Free connection | | Chrome carter | MOPA1127 |
| SLIM | 90°-210° | 16 | Free connection | | | MOPA1137 |
| SLIM | 90°-195° | 7 | Free connection | | | MOPA1131 |
| | | | | | | |
| | | | | | | |
| | | | | | | |
| | | | | | | |
| | | | | | | |
| | | | | | | |
| | | | | | | |
| | | | | | | |
| | | | | | | |
| | | | | | | |
| | | | | | | |
| | | | | | | |
| | | | | | | |
| | | | | | | |
| | | | | | | |
| | | | | | | |
| | | | | | | |
| | | | | | | |
| | | | | | | |
| | | | | | | |
| | | | | | | |

| | | | | |
|--------|-----------|-------|---------------|----------------|
| | | | | 2 YEARS |
| Manual | Armchairs | Sofas | Cycles:50.000 | Warranty |

Motionitalia Design and quality Made in Italy





Headquarters: via Navicella 26, 47122 Forlì (FC) Tel.+39 0543 774768 Fax.+39 0543 79 84 09 www.motionitalia.com info@motionitalia.com

SLIM FAST CLIP

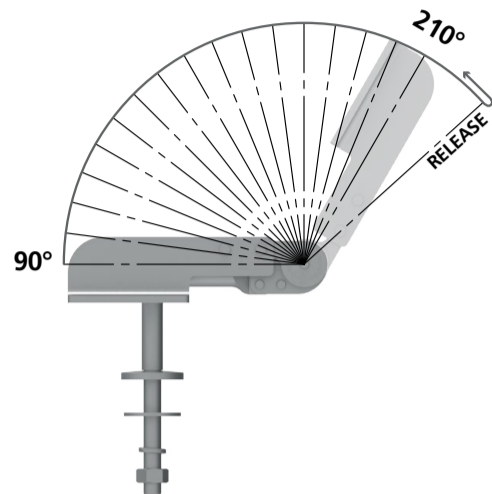


FAST CLIP

| Family | Angle | Steps | Assembly joint | Accessories | Note | Code |
|--------|----------|-------|----------------|-------------|------|----------|
| SLIM | 90°-210° | 16 | Fast clip | | | MOPA1141 |
| | | | | | | |
| | | | | | | |
| | | | | | | |
| | | | | | | |
| | | | | | | |
| | | | | | | |
| | | | | | | |
| | | | | | | |
| | | | | | | |
| | | | | | | |
| | | | | | | |
| | | | | | | |
| | | | | | | |
| | | | | | | |
| | | | | | | |
| | | | | | | |
| | | | | | | |
| | | | | | | |
| | | | | | | |
| | | | | | | |
| | | | | | | |
| | | | | | | |
| | | | | | | |

| | | | | |
|---|--|--|--|---------------------------|
|  Manual |  Armchairs |  Sofas |  Cycles:50.000 | 2YEARS Warranty |
|---|--|--|--|---------------------------|

SLIM THREADED JOINT

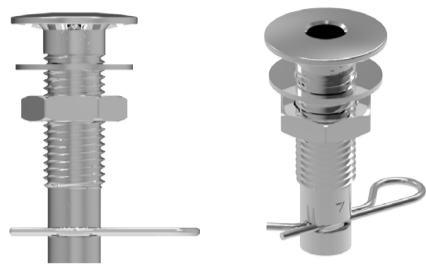


THREADED JOINT

| Family | Angle | Steps | Assembly joint | Accessories | Note | Code |
|--------|----------|-------|----------------|-------------|-------------------------|-----------|
| SLIM | 90°-210° | 16 | Threaded joint | | Stirrup "L" of MOPA0881 | MOPA1140 |
| SLIM | 90°-210° | 16 | Threaded joint | | | MOPA1126 |
| SLIM | 90°-210° | 40 | Threaded joint | | Blue carter | MOPA07913 |
| SLIM | 90°-195° | 14 | Threaded joint | | | MOPA1134 |
| SLIM | 90°-180° | 12 | Threaded joint | | | MOPA1138 |
| SLIM | 90°-135° | 15 | Threaded joint | | Blue carter | MOPA07914 |
| | | | | | | |
| | | | | | | |
| | | | | | | |
| | | | | | | |
| | | | | | | |
| | | | | | | |
| | | | | | | |
| | | | | | | |
| | | | | | | |
| | | | | | | |
| | | | | | | |
| | | | | | | |
| | | | | | | |
| | | | | | | |
| | | | | | | |
| | | | | | | |
| | | | | | | |
| | | | | | | |
| | | | | | | |
| | | | | | | |
| | | | | | | |
| | | | | | | |

| | | | | |
|--------|-----------|-------|---------------|---------------|
| | | | | 2YEARS |
| Manual | Armchairs | Sofas | Cycles:50.000 | Warranty |

OPTIONAL



CHROMED BUSH WITH WASHER, NUT AND CLIP

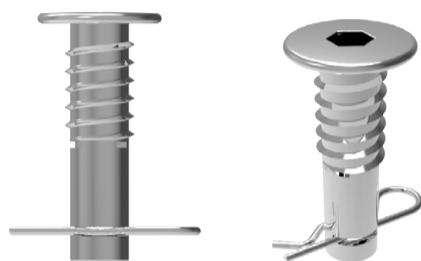
code MOPA1552 MOPA1552 (chromed bush with washer and nut code MOPA1553)

Benefit: The bush is an option applicable to all Texas with a quick and smooth shank (chromed bush with washer and nut).

The fundamental characteristic is that of facilitating assembly / disassembly operations of the drum module (headrest and / or armrest).

- Bushing with clip for quick coupling: the clip secures the sofa joint to the bush, near the throat on the stem of the ratchet, adjusting its height.
- Bush without clip: the lack of the fixing clip allows the sofa joint to move inside the bush, increasing the support surface of the padding, keeping the covering in tension (tugs).

The chrome finish gives greater prestige and personality to the finished product.



CHROMED BUSH WITH THREAD FOR WOOD AND CLIP

code MOPACO1778

Benefit: The bush is an option applicable to all Texas with a quick and smooth shank (chromed bush with washer and nut). The fundamental characteristic is that of facilitating assembly / disassembly operations of the drum module.

Compared to the other bushings, this does not require the nut and the fixing washer because it is directly screwed to the wooden frame.



PLASTIC BUSH WITH CHROME HEAD

code MOPA1595

Benefit: The plastic bush is the alternative to the other types of optional equipment provided for Texas families with sofa joints characterized by a smooth shank.

The bush structure allows the sofa joint to move (in opening), increasing the support surface, keeping the coating in tension (tugs).



CHROMED BUSH KIT FOR REDUCING HEIGHT 15mm

code MOPACO1031

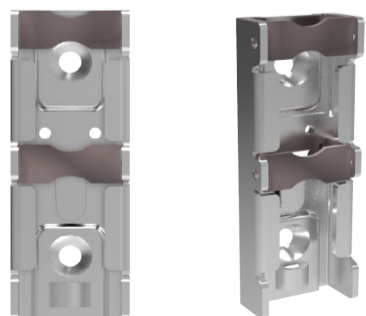
Benefit: The chrome bushing kit is an accessory that allows you to design padded items with headrests lower than 15mm compared to standard, creating sofas / armchairs with a minimal contemporary design.



CHROMED BUSH KIT FOR REDUCING HEIGHT 30mm

code MOPACO1038

Benefit: The chrome bushing kit is an accessory that allows you to design padded seats with headrests lower than 30mm compared to the standard, creating sofas / armchairs that differ from the competition by design and elegance.



BAYONET

code MOPA0370

Benefit: The bayonet is an optional applicable to Texas products with flat shank. The fundamental characteristic is that of simplifying the assembly, disassembly and maintenance operations of the upholstery. To fix the module to the structure of the upholstery, it is sufficient to press the shank of the sofa joint inside the bayonets, previously fixed to the frame of the sofa or armchair.