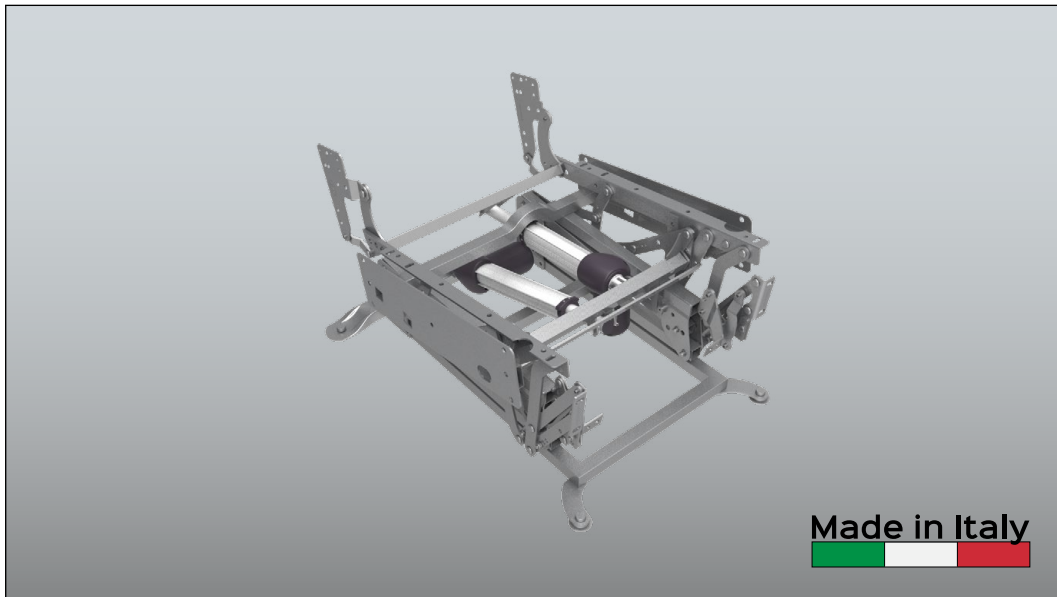


LEVANTE

BED CLASSIC VERTICAL LIFT EXTENDED M2

Code PL07075-XXX



Standard sizes (mm)
520

Motorized	25 kg +/- 1kg	Armchair	MAX 170kg 380lbs Maximum lifting capacity	Cycles:30.000	2YEARS Mechanism 2YEARS Actuator Warranty
-----------	---------------	----------	---	---------------	---

Positions:

Closed	TV	Bed	Lift

Benefit: The KEYMOTION mechanisms are built entirely in Italy, from the raw material, to the processing, up to the final assembly and testing. The products are carefully checked before being shipped. This mechanism is equipped with a flap that increases the extension of the footboard (improving comfort), in TV and Full Relax positions. Two motors regulate the different positions: closed, TV, bed and lift. The first actuator, in addition to bringing

the padded in position Lift, extends the footboard by doing a slight tilting action to the seat and backrest; the second actuator instead reclines the backrest until you reach the Bed position. The vertical-lift system raises the padding without rotation for the first 10 cm, allowing the person to adapt to intermediate heights before standing. Finally, the Bed backrest increases the comfort in the open position with an inclination of as much as 22° more than the standard version.

Optional

SOME ACCESSORIES	TROLLEY KIT	HEADREST	HANDLE	ELECTRIC KIT	ACTUATORS	CONTROL SYSTEM	BUILT IN SWITCHES	CONTROL PLATES
CARTER	FINISHES	SEAT AND FOOTREST FRAME	KINETIC	PLUGS & CABLE EXTENSIONS	POWER SUPPLY & BATTERY PACKS	TOUCH SENSOR	WIRED/ WIRELESS REMOTES	SMARTPHONE CONTROL SYSTEM
ARMREST KIT	DORSAL	ARMREST		CONNECTOR				