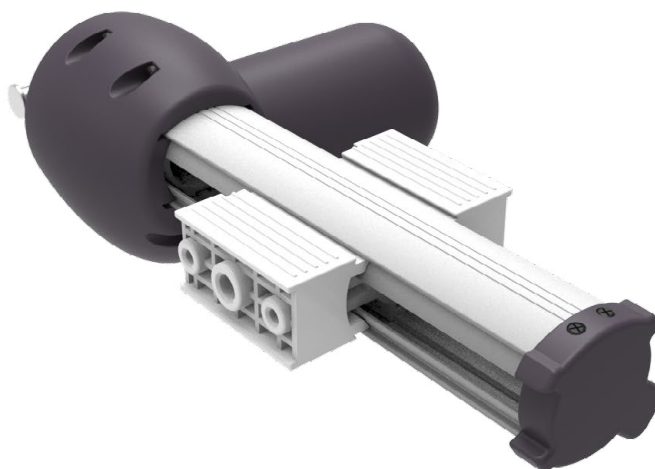


ACTUATOR MI-12 whit slider

Code MOAC4000



DESIGN IN MOVIMENTO



2YEARS

Warranty

Benefit

This particularly strong actuator has been designed to be used in heavy-duty applications, as in the lift mechanisms. Inside there are two metal bearings, one of them with a diameter of 42mm. The bearing

housing and the rear mounting are also made of metal. It is also equipped with adjustable limit microswitches.

Technical features






Max stroke: 700 mm

Max load: 6000 N

Rear attachment: 0° - 45° - 90° - 135°

Supply cable length: 500mm - 1000mm

Configuration (max load - speed no load)

				
6000N - 6mm/sec	3000N - 12mm/sec	2000N - 16mm/sec	1500N - 27mm/sec	1000N - 38mm/sec

Motionitalia Design and quality Made in Italy

Headquarters: via Navicella 26, 47122 Forlì (FC) Tel.+39 0543 774768 Fax.+39 0543 798409 www.motionitalia.com info@motionitalia.com

The producer reserves the right to modify, at any moment and without notice, the technical specification of its products