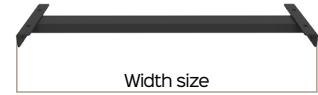


BRIDGE

Code MOCO05158VB-XXXX



DESIGN IN MOVIMENTO

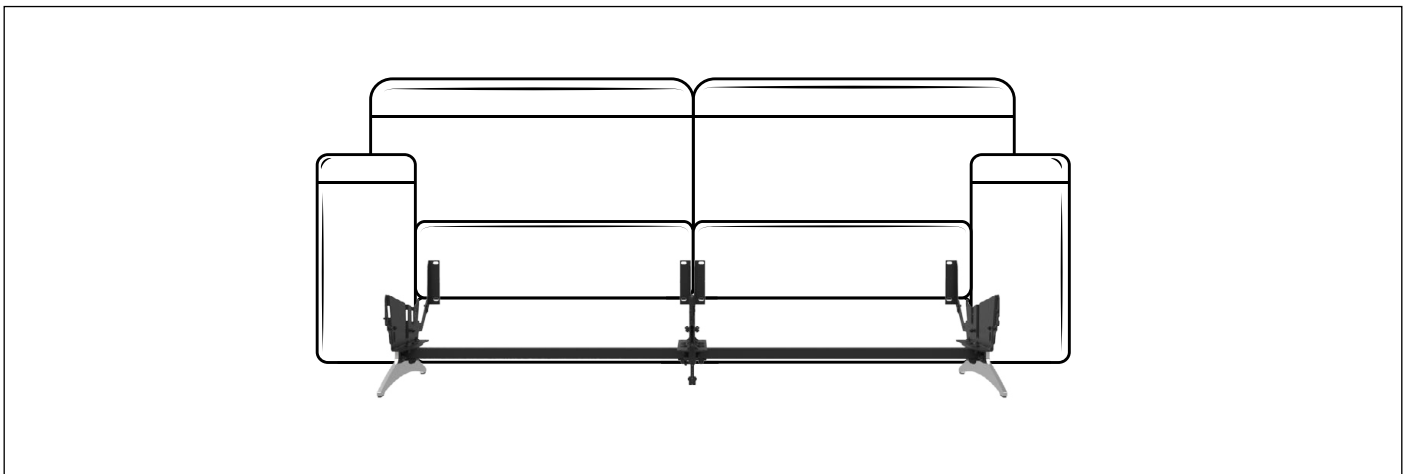


Standard size (mm)

mechanism size	MOCO05158VA-XXXX
540	547
650	657
730	737
800	807
880	887

More than 30 measures available

kg +/-	Armchairs	Sofas	Load:170kg	2YEARS Warranty
--------	-----------	-------	------------	-----------------



Benefit: The open-based support frame "Bridge" is modular and highly customizable. Its unique versatility allows the use of different kinds of mechanism, in order to create open-based

armchairs and sofas with an extremely contemporary look. This product is customizable according to customer's needs, thanks to a series of bracket kits which are sold separately and upon request.

Optional

ACCESSORIES			
	MECHANICAL SUPPORT KIT	SOFA FOOT KIT	KIT FOOT EXTERNAL
BACKREST SUPPORT KIT	KIT COMMON COMPONENTS	SOFA LOW FOOT KIT	KIT LOW FOOT EXTERNAL

Motionitalia Design and quality Made in Italy

Headquarters: via Navicella 26, 47122 Forlì (FC) Tel.+39 0543 77 47 68 Fax.+39 0543 79 84 09 www.motionitalia.com info@motionitalia.com

The producer reserves the right to modify, at any moment and without notice, the technical specification of its products